

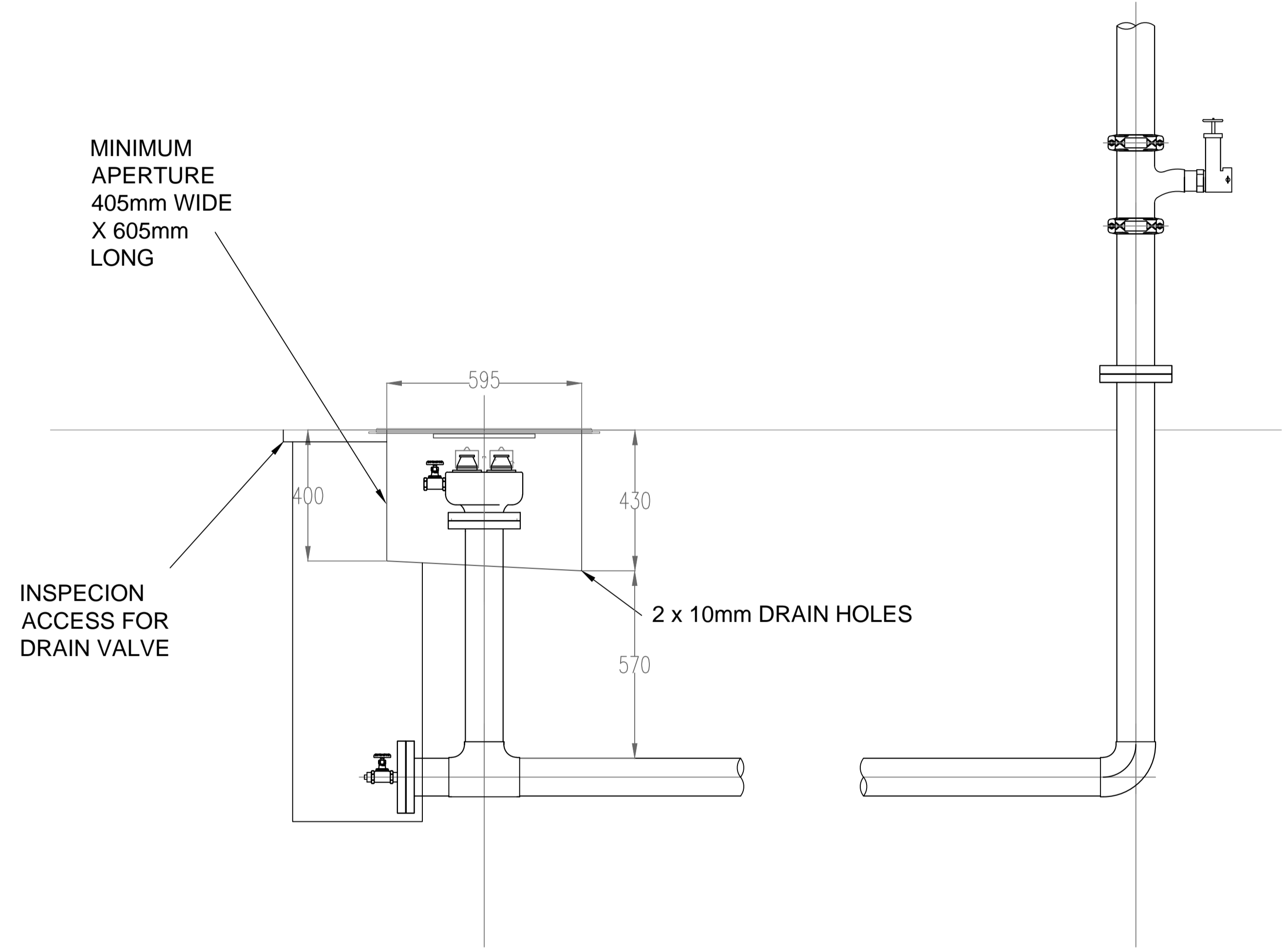
NOTES TO CLIENT
 DO NOT SCALE OFF THIS DRAWING
 ALL DIMENSIONS ARE IN MILLIMETRES UNLESS OTHERWISE STATED.
 ALL DIMENSIONS SHOULD BE READ IN THE HORIZONTAL PLANE UNLESS ALIGNED
 DIMS ARE PROVIDED
 UK Dryisers IS DO NOT ACCEPT RESPONSIBILITY FOR DAMAGE CAUSED BY FROST
 CLIENTS SHOULD TAKE PRECAUTIONS AGAINST THE WATER IN VALVES AND PIPES
 FREEZING DURING SEVERE WEATHER.
 HOLES THROUGH WALLS, FLOORS, CEILINGS, SLABS OR PARTITIONS ARE THE
 RESPONSIBILITY OF THE CLIENT.
 PIPING TO BE DARTED AND BONDED BY CLIENT IN ACCORDANCE WITH
 APPROPRIATE REGULATIONS.
 WATER AND ELECTRICAL SUPPLY SERVICES TO BE PROVIDED BY CLIENT UNLESS
 OTHERWISE STATED.
 ALL TRENCHING AND CIVIL WORKS TO BE PROVIDED BY CLIENT
 WARNING: SPRINKLERS, CONTROLS ETC. MUST NOT BE PAINTED

© UK Dryisers Ltd

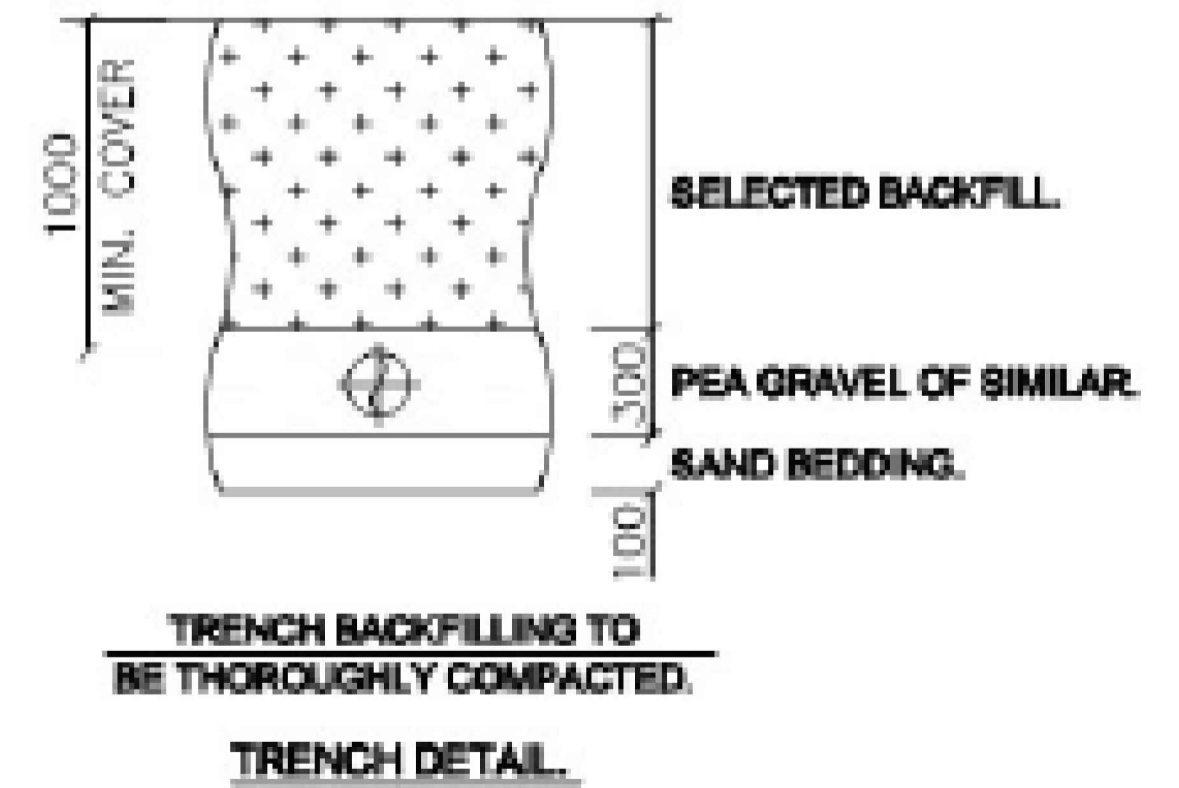
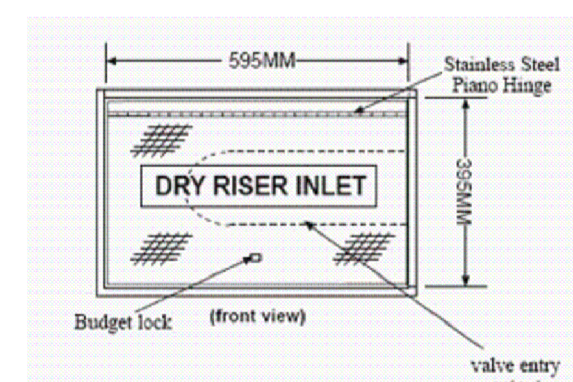
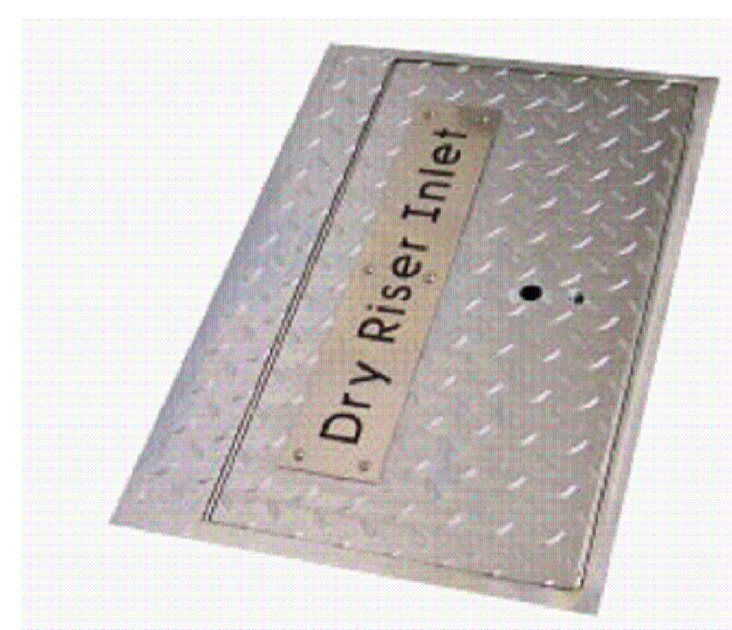
THE COPYRIGHT OF THIS DRAWING IS OWNED BY UK Dryisers IS AND CANNOT BE
 USED FOR ANY OTHER PURPOSE THAN THE NEGOTIATION OF THE SUBCONTRACT AND
 SUBSEQUENT CONSTRUCTION OF THE SUBJECT WORK BY UK Dryisers IS AND THE
 PASSING OF ANY OF THE INFORMATION ON THIS DRAWING TO A COMPETITOR OF
 UK Dryisers IS IS A BREACH OF THE PROVISIONS OF THE COMPETITION ACT 2002.
 NO PART OF THIS DRAWING MAY BE PHOTOCOPIED OR OTHERWISE REPRODUCED
 WITHOUT THE WRITTEN PERMISSION OF UK Dryisers IS

Specifications:

Back box
 manufactured from 16swg zintec
 steel
 polyester powder coated white.
 Architrave
 3mm steel electro plated silver.
 Door
 5mm chequered plate electro
 plated silver
 complete with lettering engraved
 "DRY RISER INLET" filled in black.



FLOOR MOUNTED FIRE BRIGADE INLET DETAIL



REV	DATE	DESCRIPTION	DRN	APP

UK dryisers Ltd
 Unit 1, Bridge Trading Estate TEL:0161 764 0002
 Bolton Road FAX:0161 763 7419
 Bury sales@ukdryisers.co.uk
 Greater Manchester BL8 2AQ www.ukdryisers.co.uk

TITLE
 FLOOR MOUNTED DRY RISER INLET CABINET
 DETAILS

DRAWING NO. UK-STANDARD - 002	REV 01
DRAWN SMG	CHECKED MC
DATE 28/10/12	SCALE 1:25
DRG SIZE A1	

ORIGINAL SIZE 100mm